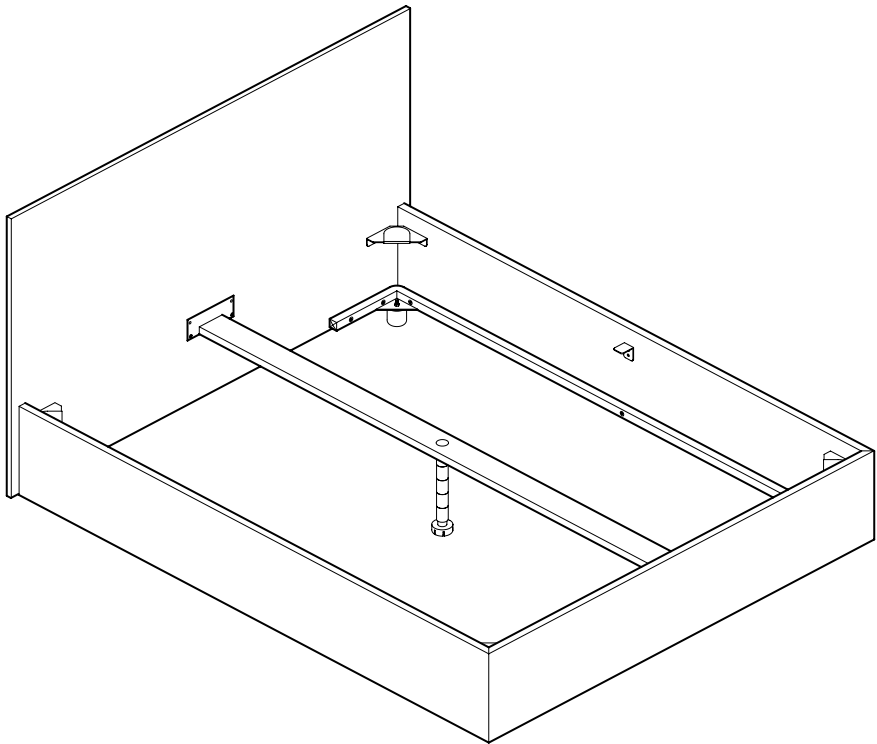
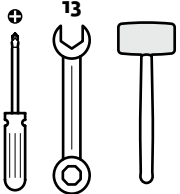



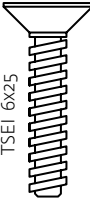
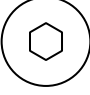
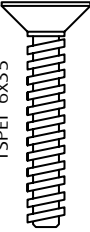

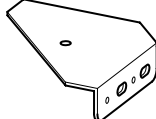



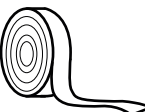
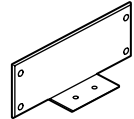





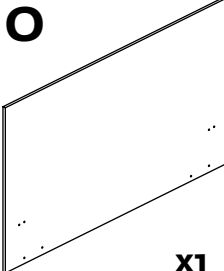


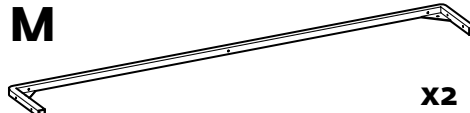
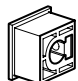
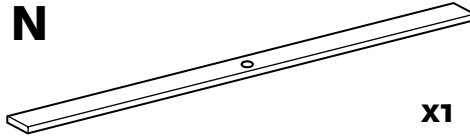
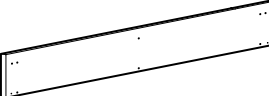





warranty.tempur.com

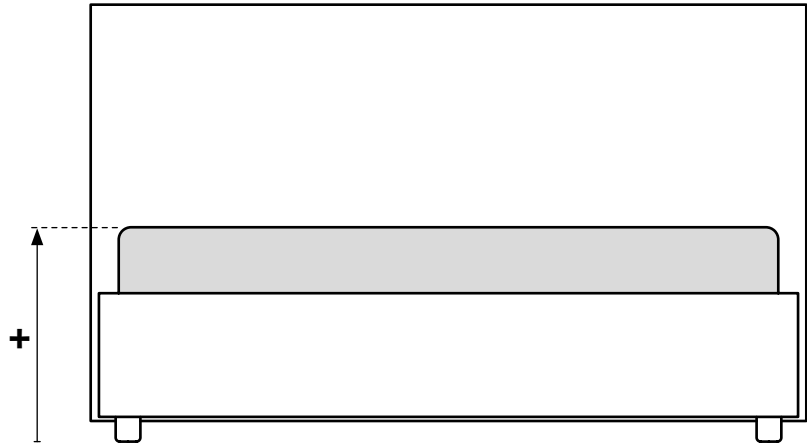



AIIM2917

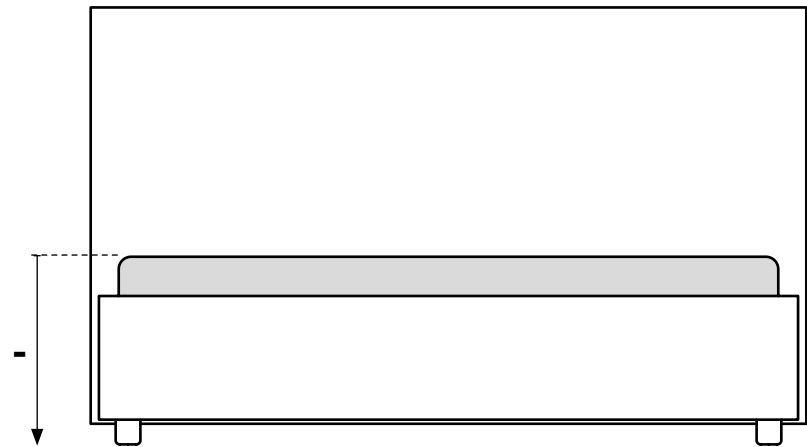


<p>A</p>   <p>TSEI 6x50</p> <p>x14</p>	<p>B</p>   <p>TSEI 6x25</p> <p>x22</p>	<p>C</p>   <p>TSPEI 6x35</p> <p>x2</p>	<p>D</p>  <p>x4</p>	<p>E</p>  <p>x4</p>	<p>F</p>  <p>x2</p>
<p>X</p>   <p>TSP 4x16</p> <p>x4</p>	<p>L</p> 	<p>G</p>  <p>x2</p>	<p>H</p>     <p>x1 x2 x2</p>	<p>I</p>  <p>x4</p>	
<p>O</p>  <p>x1</p>	<p>P</p>  <p>x1</p>	<p>Y</p>  <p>x1</p> <p>M</p>  <p>x2</p>			
<p>R</p>  <p>x2</p>	<p>N</p>  <p>x1</p>				
<p>Q</p>  <p>x2</p>	  <p>4</p> <p>x1</p>				

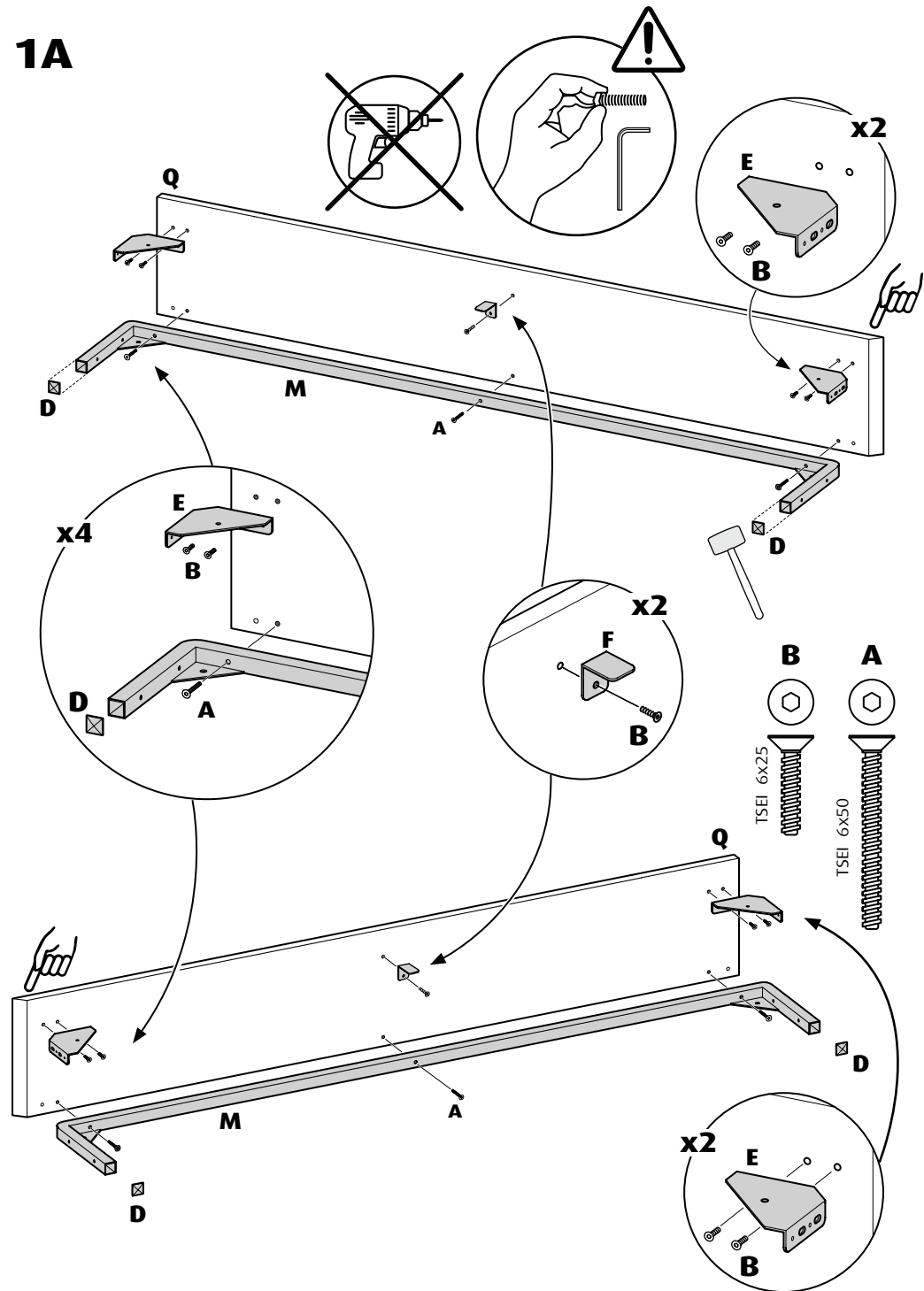
VERS. "A" - 



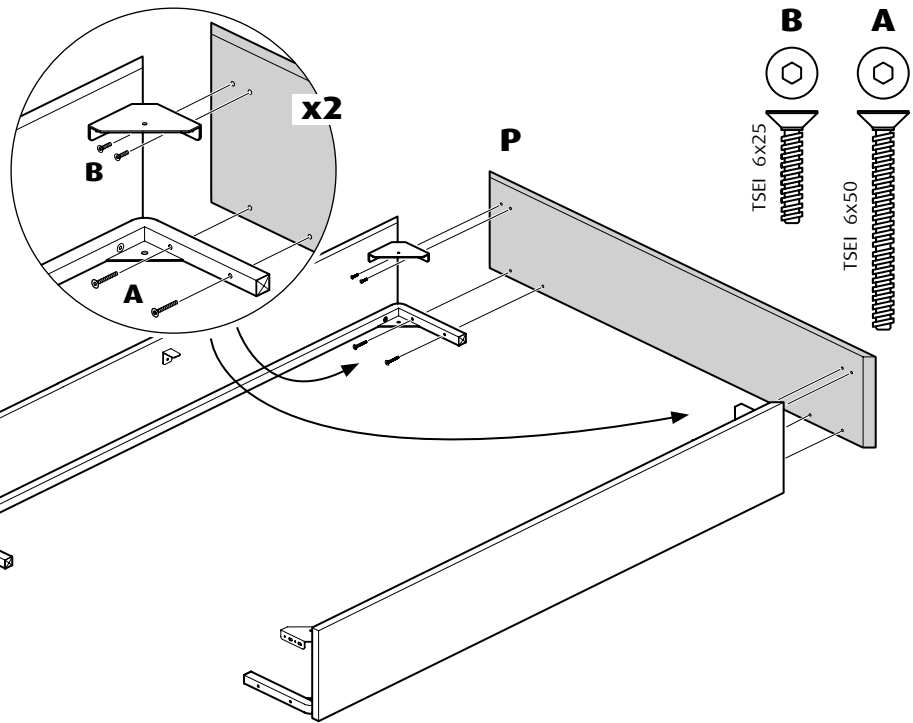
VERS. "B" - 



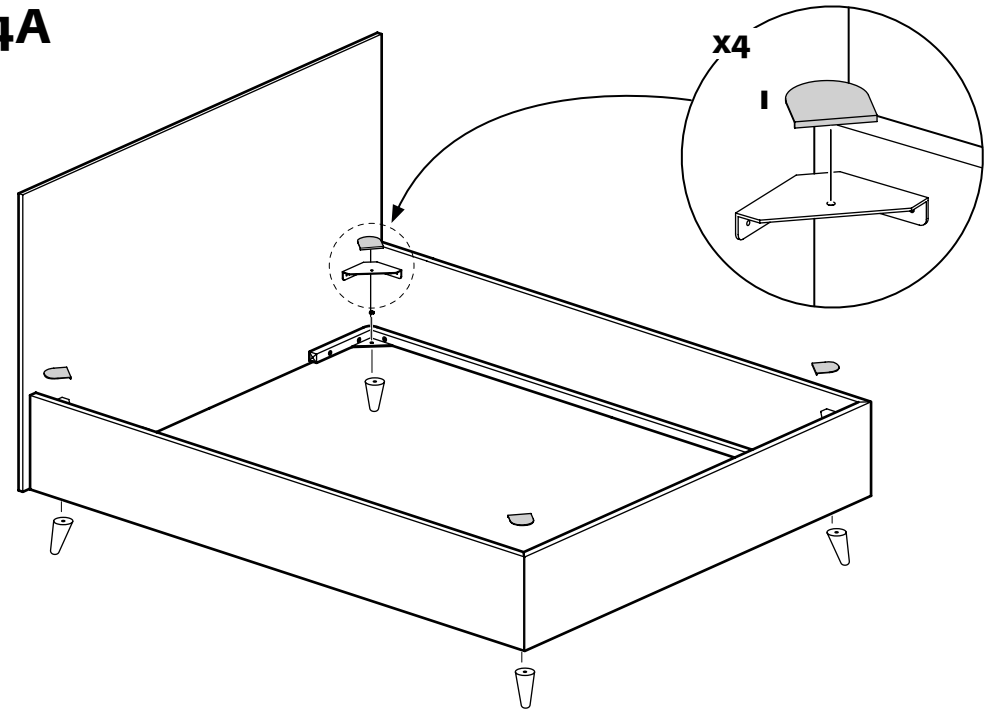
1A



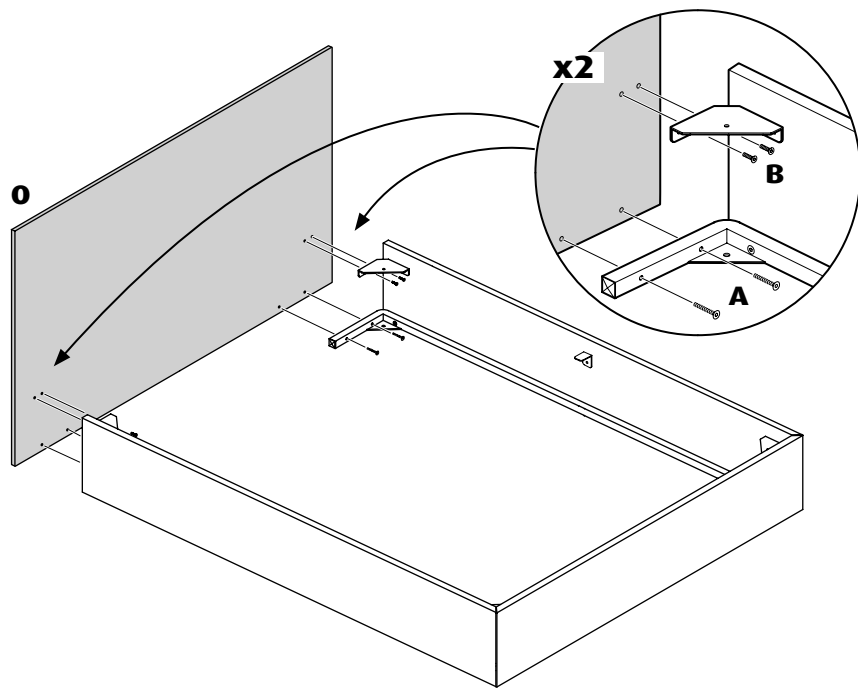
2A



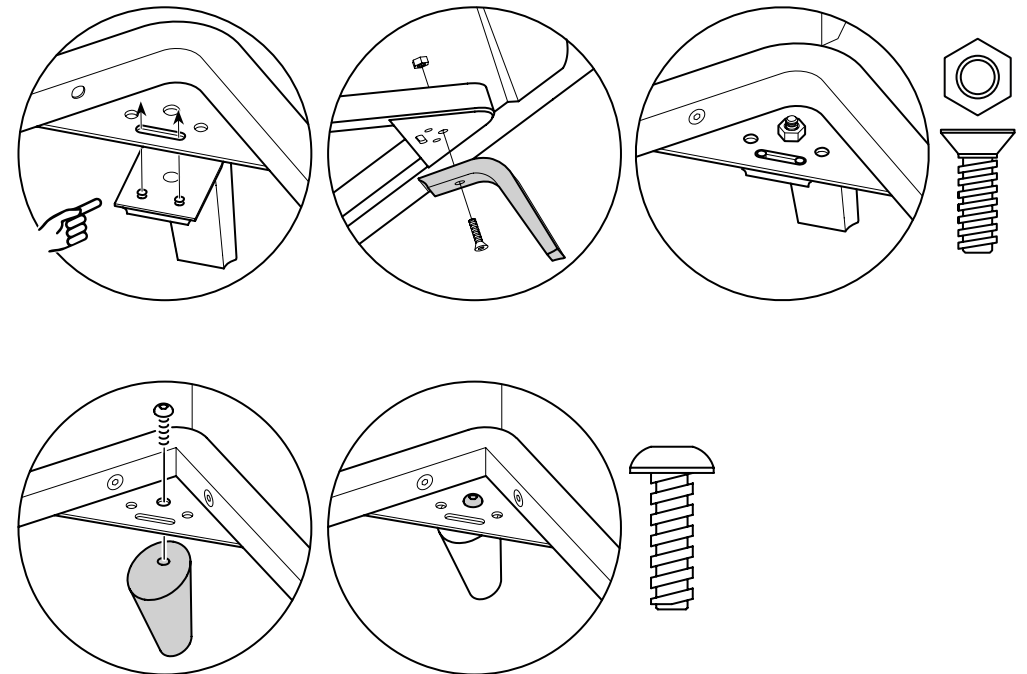
4A



3A

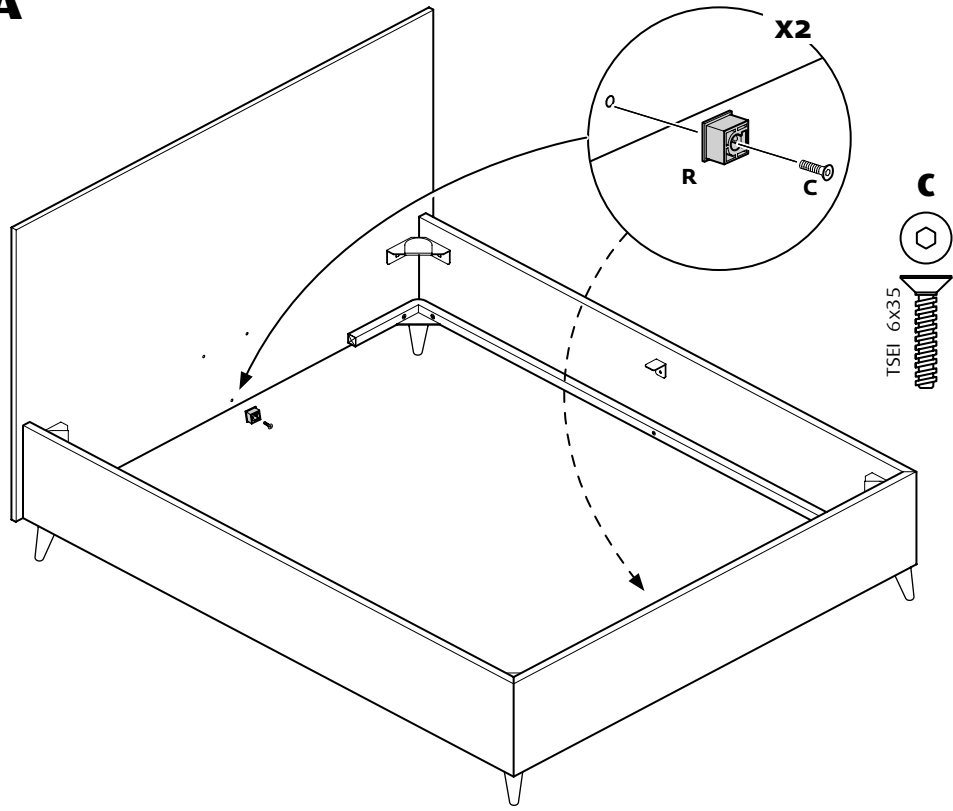


6

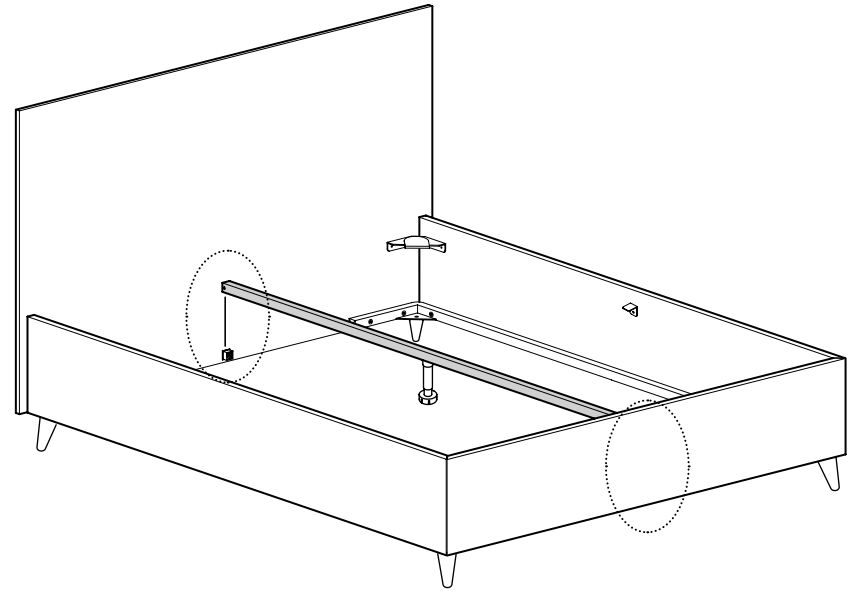


7

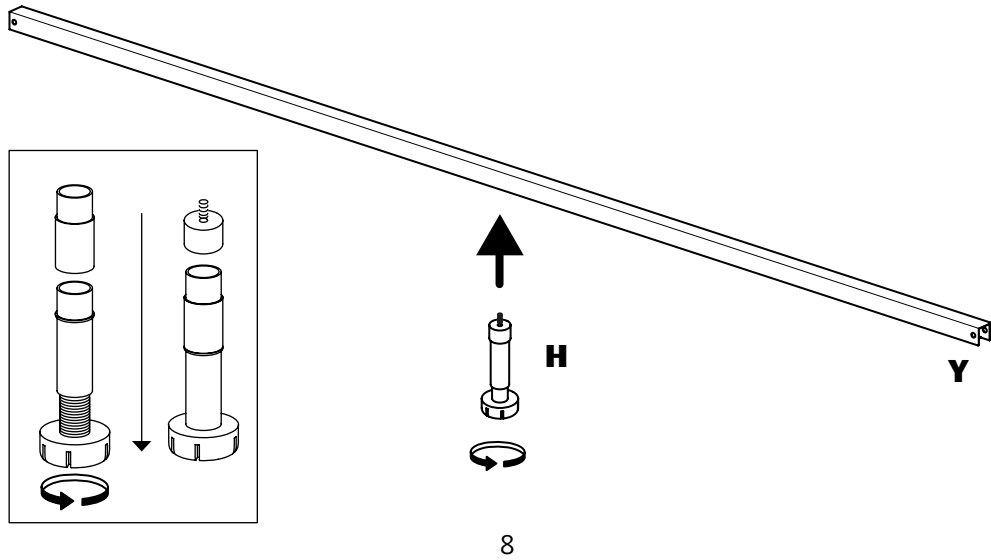
5A



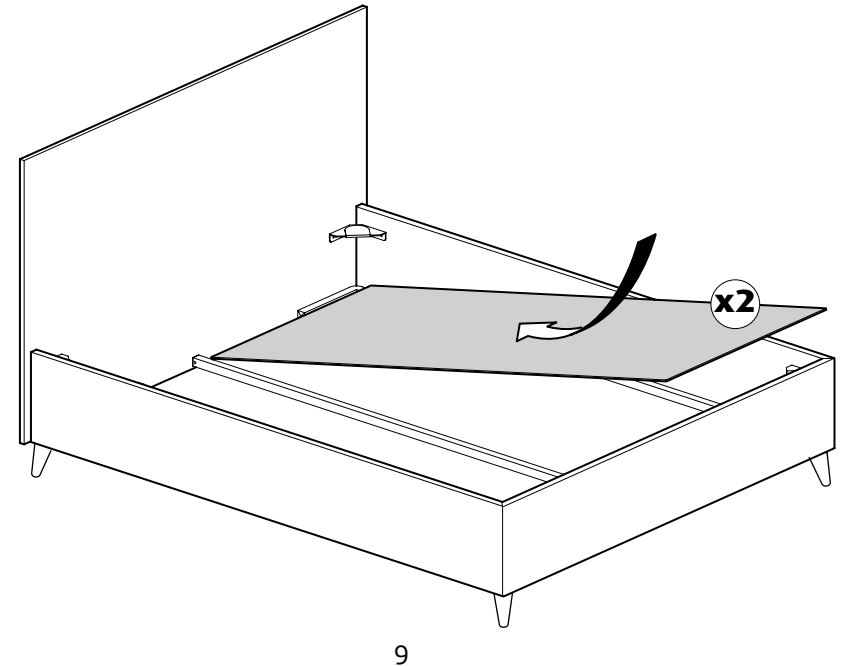
7A



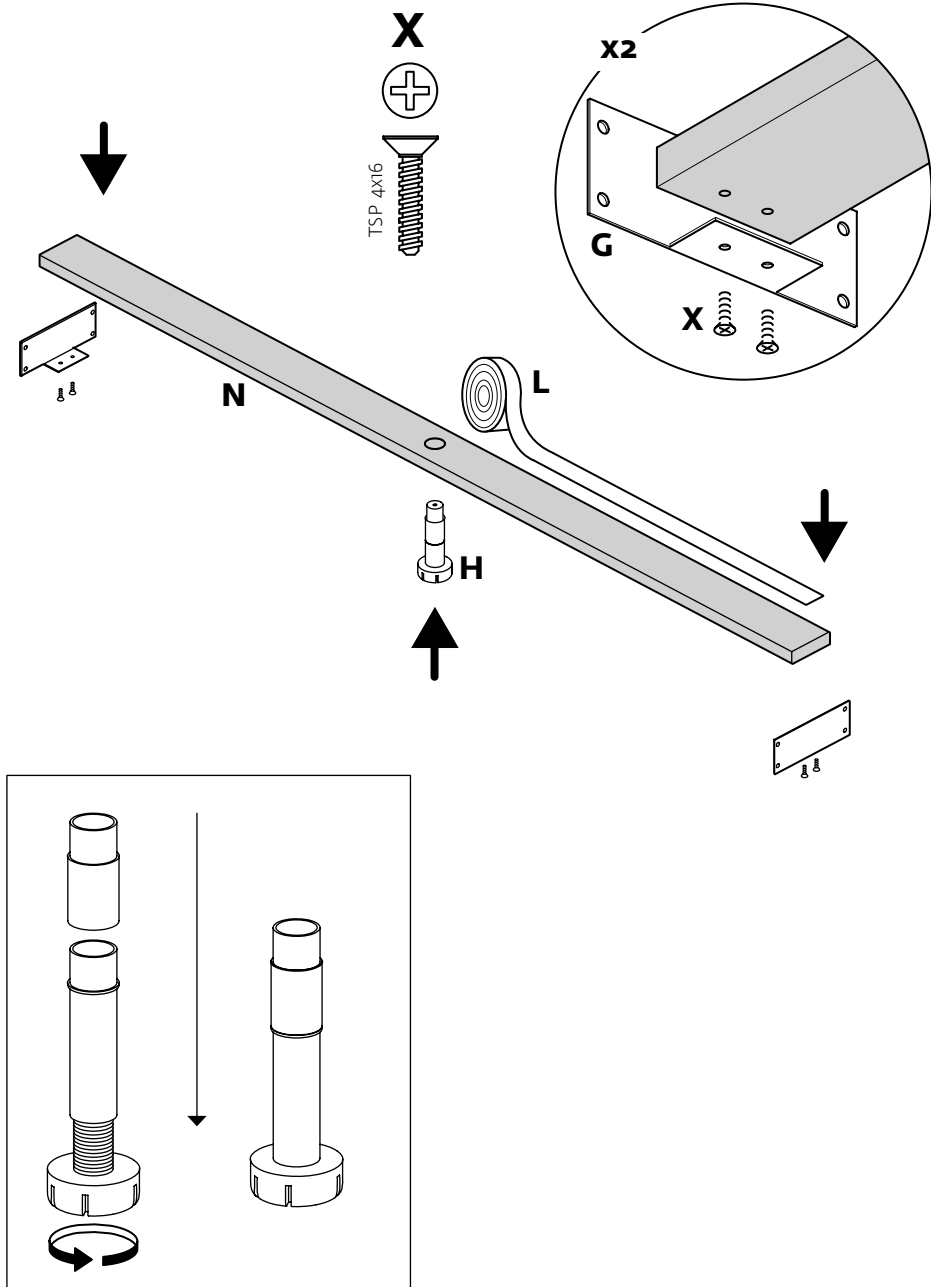
6A



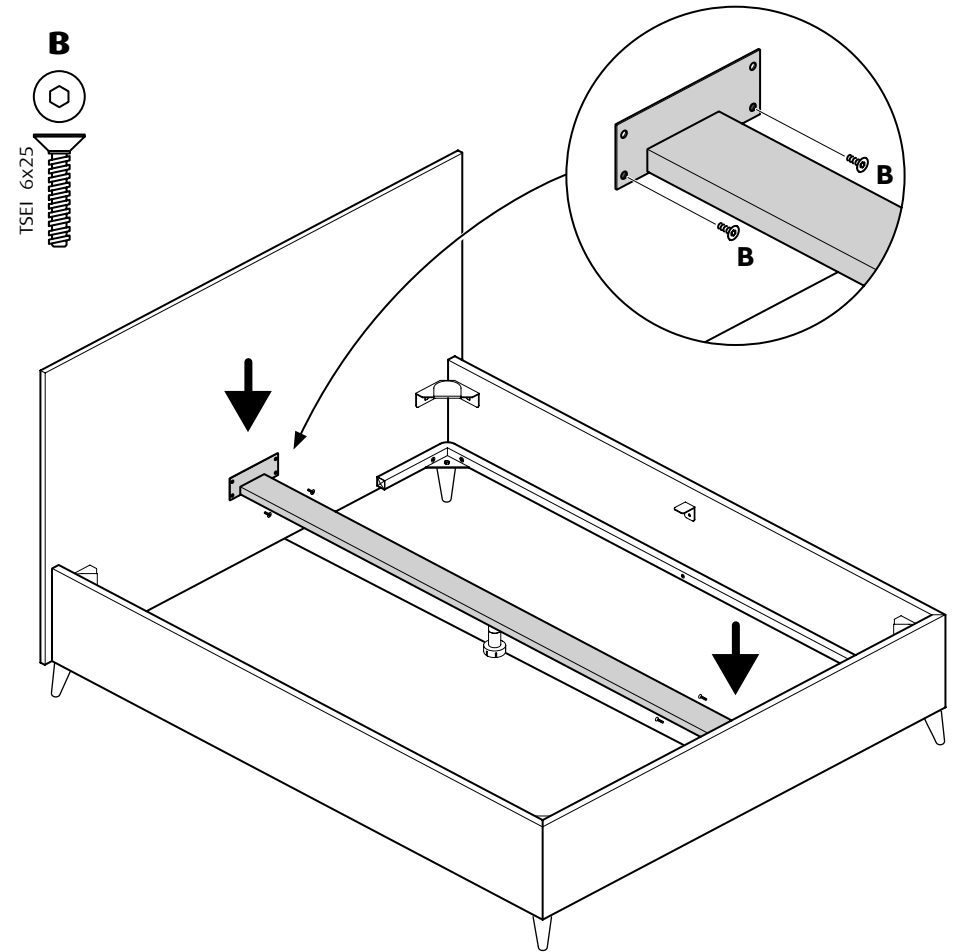
8A




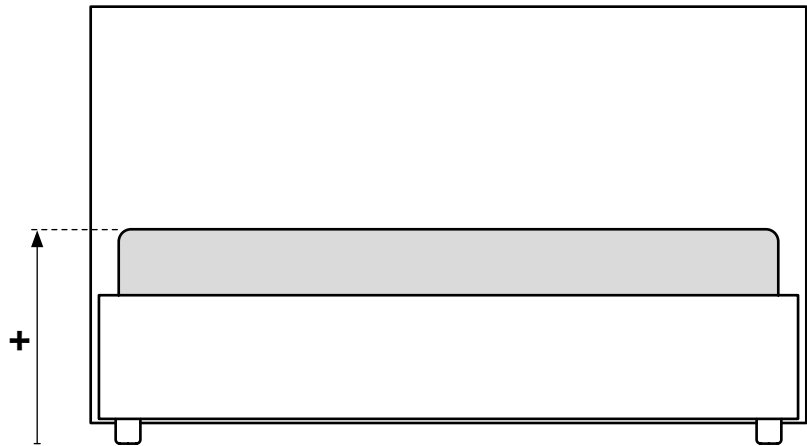
9A




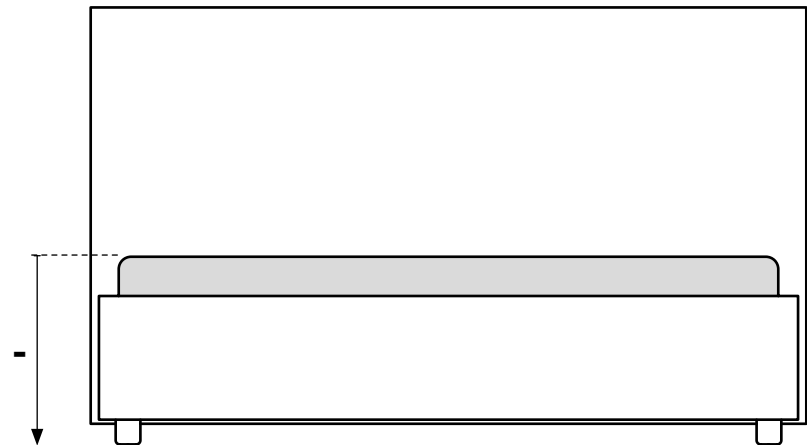
10A



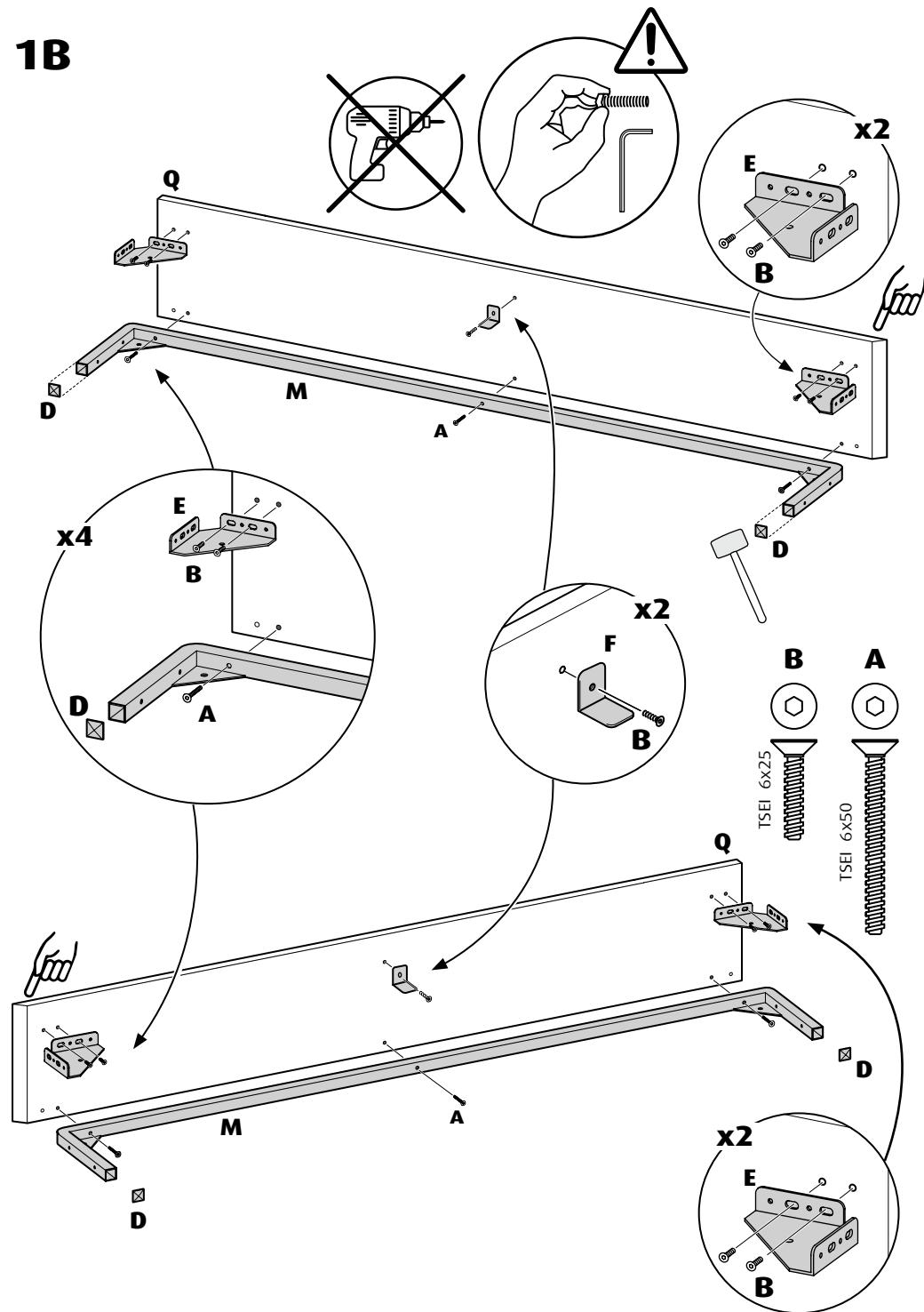
VERS. "A" - 



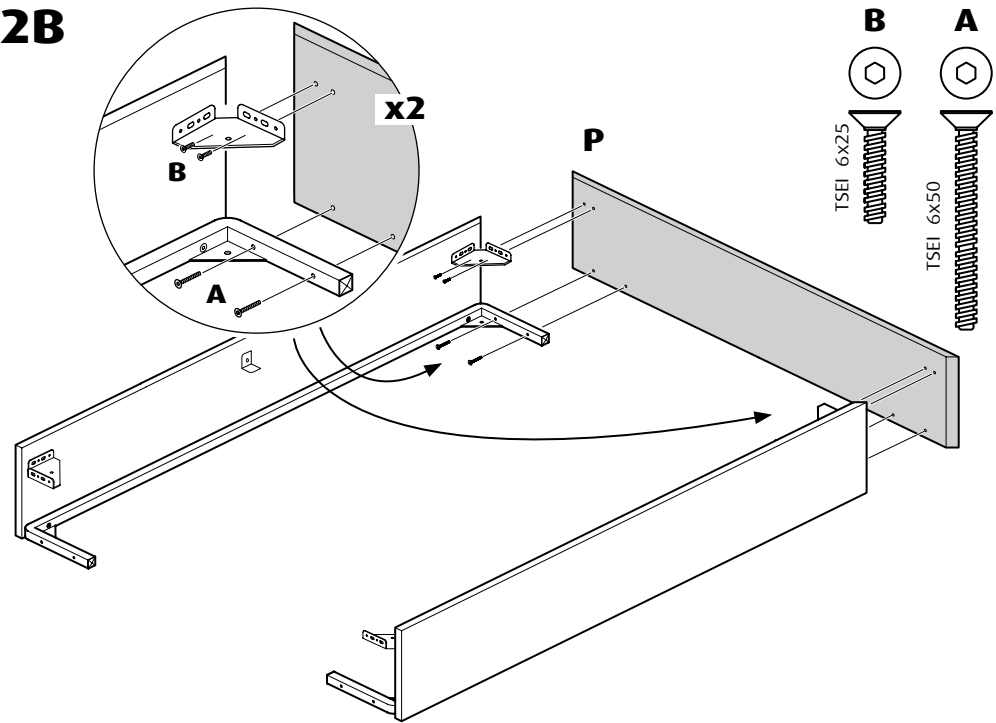
VERS. "B" - 



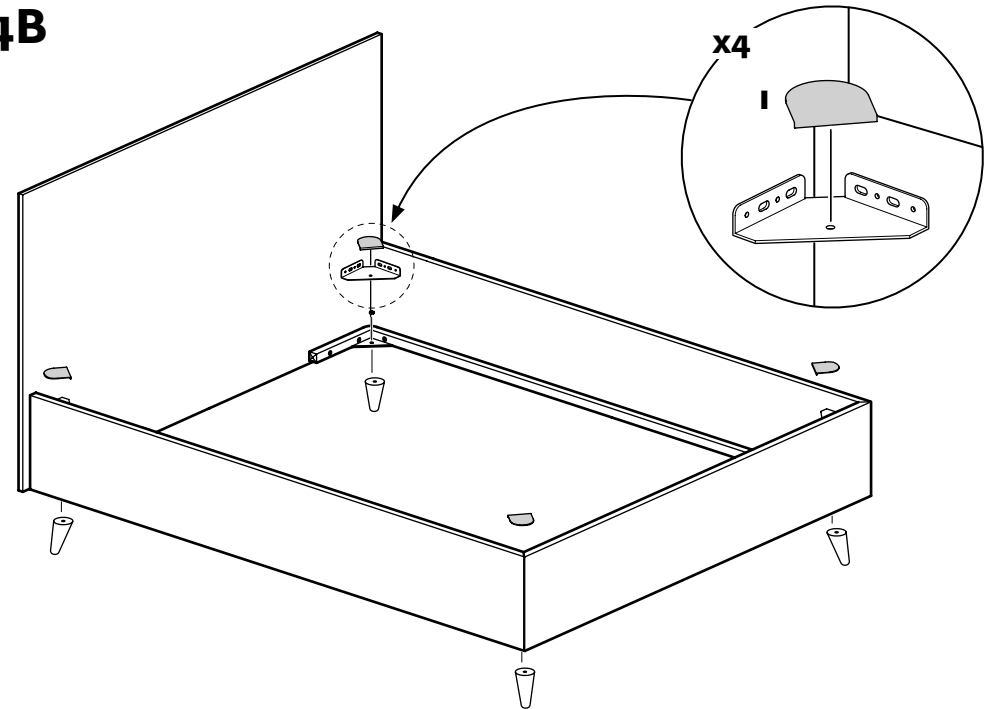
1B



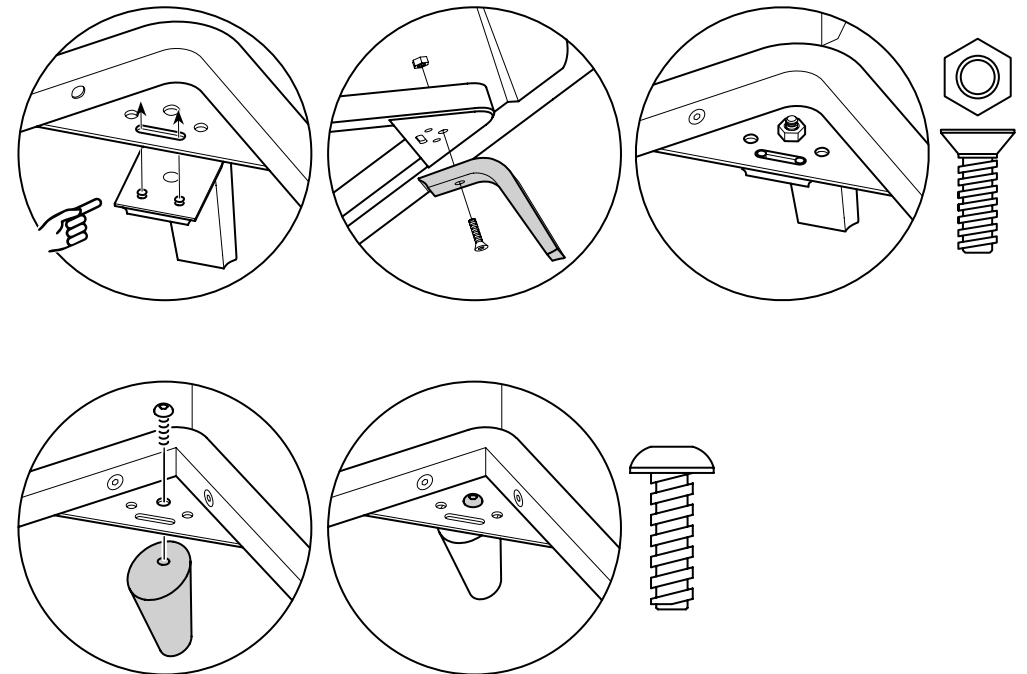
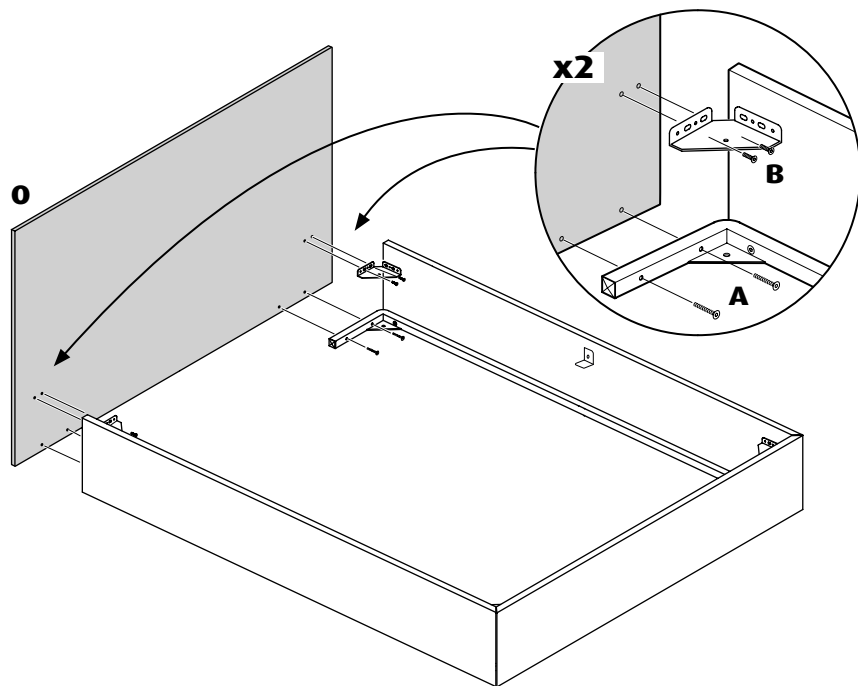
2B



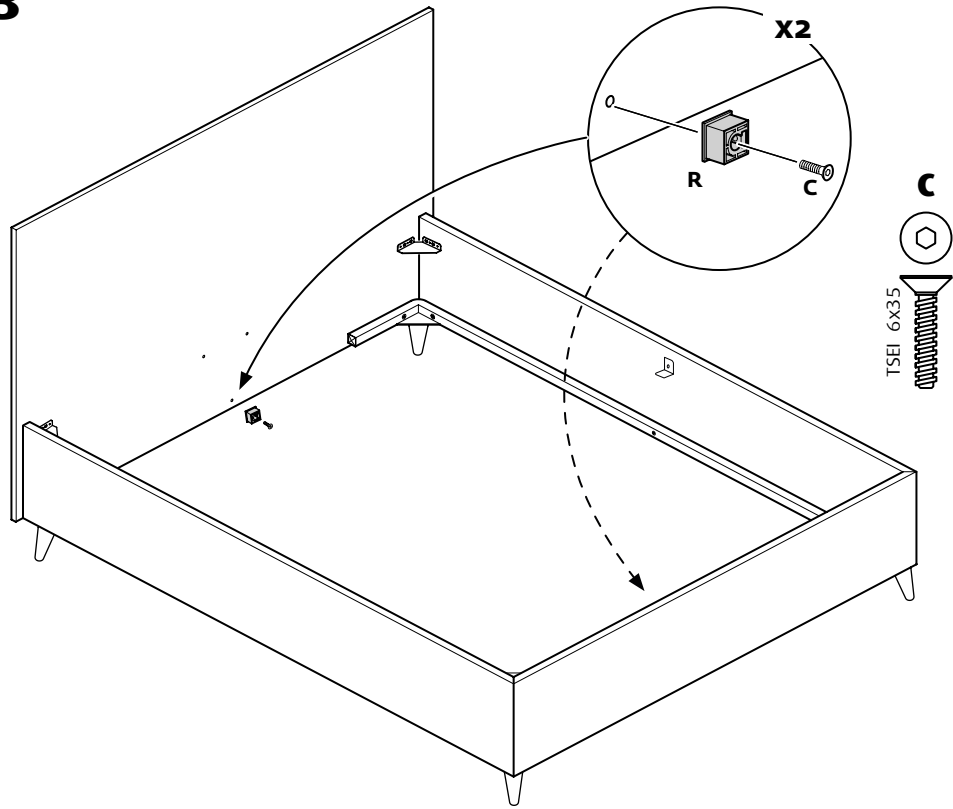
4B



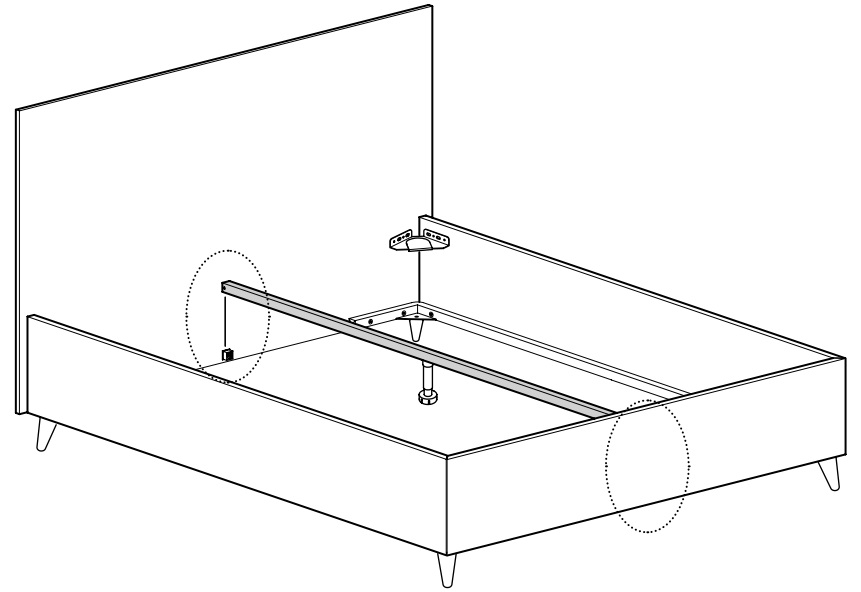
3B



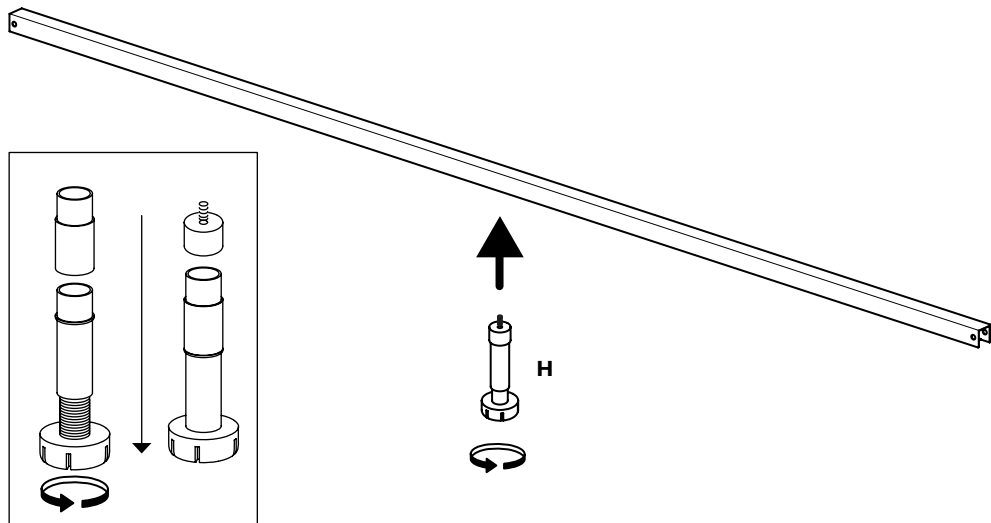
5B



7B

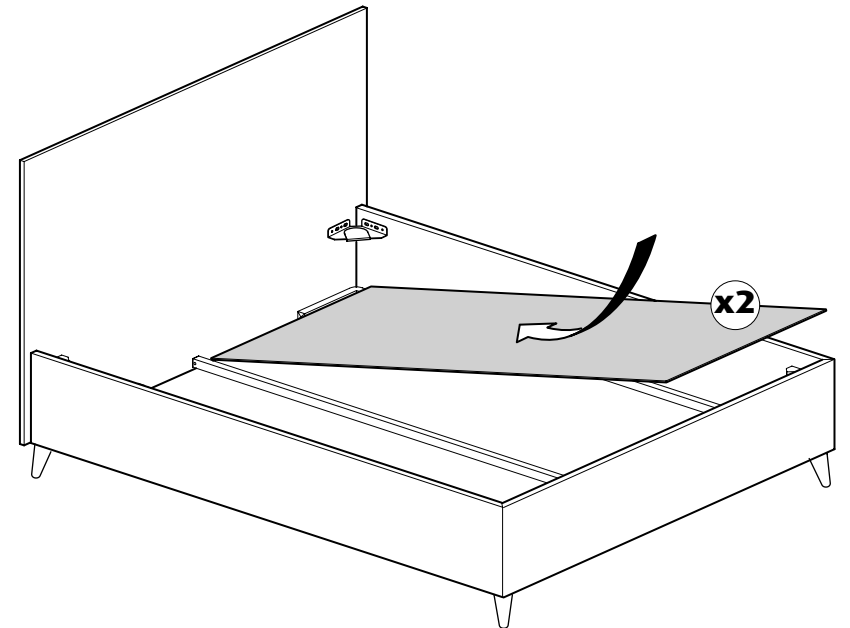


6B



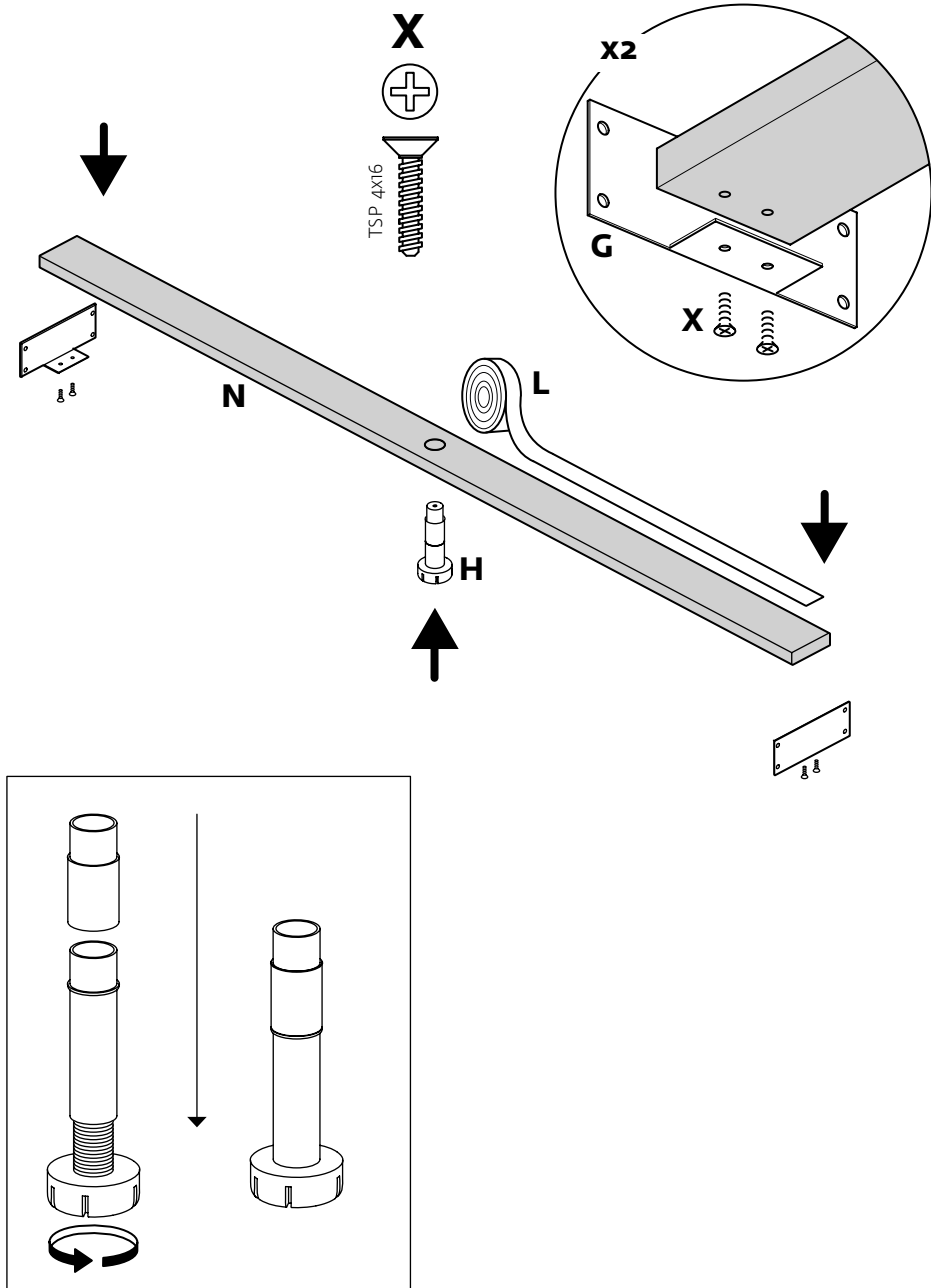
16

8B



17

9A



10B

